

Automatic Recirculation Valve – Data Sheet

Please use this data sheet to send your inquiries to us. Items marked in bold print indicate essential information.

Part 1 – Company Information

Name: Title:
 Company: Telephone:
 E-mail: Fax:

Part 2 – Order Information

General: Application:
 Quantity: Tag No.: Project Name:
 Valve Model: **78PS Automatic Recirculation Valve** Projekt No:

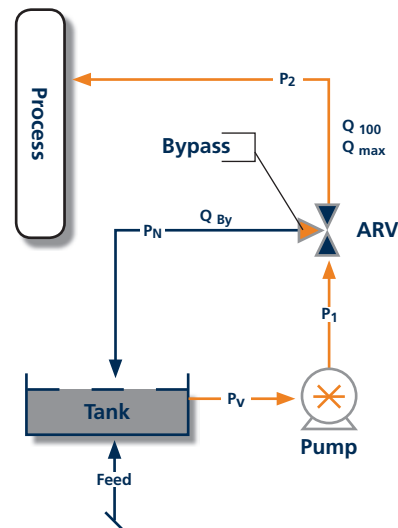
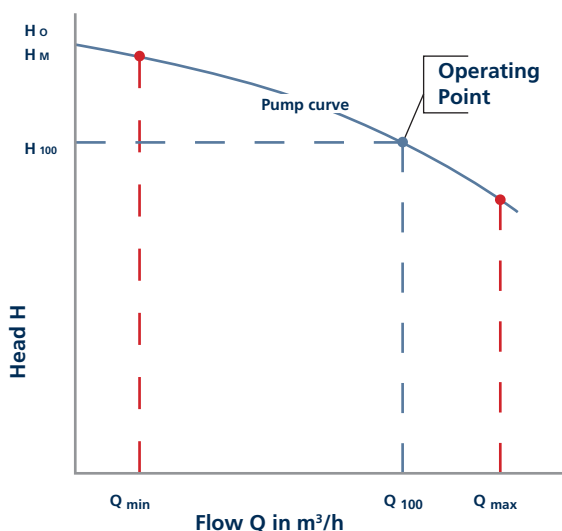
Part 3 – Valve and Process Information

Valve Information: Valve Inlet Size (DN/Inch): Valve Inlet Pressure Rating:
 Valve Outlet Size (DN/Inch): Valve Outlet Pressure Rating:
 Bypass Outlet Size (DN/Inch): Bypass Outlet Pressure Rating:
 Materials Housing: Materials Trim:
 Installation: Vertical or Horizontal

Process Information: Process:
 Medium: Liquid or Gas: PED Fluid Group 1 or 2:
 Density: kg/m³ Op.Temp.: °C Fluid Vapor Pressure: (bar_a)

Pump Information: Q_{min} = m³/h H_M = m Suction pr. P_V: (bar/psi)
 Q₁₀₀ = m³/h H₁₀₀ = m Backpress. P₁: (bar/psi)
 Q_{max} = m³/h Backpress. P_N: (bar/psi)
 Q_{By} = m³/h Differential pr. (P₁-P_N): (bar/psi)

Part 4 – Please use the charts below to define the information required in part 3



Notes:

Send To: SchuF Fetterolf E-Mail: valves@schuf.com Fax: +49 6198 571200