

Changeover Valves

Models 60 / 69



SchuFI 

Applications

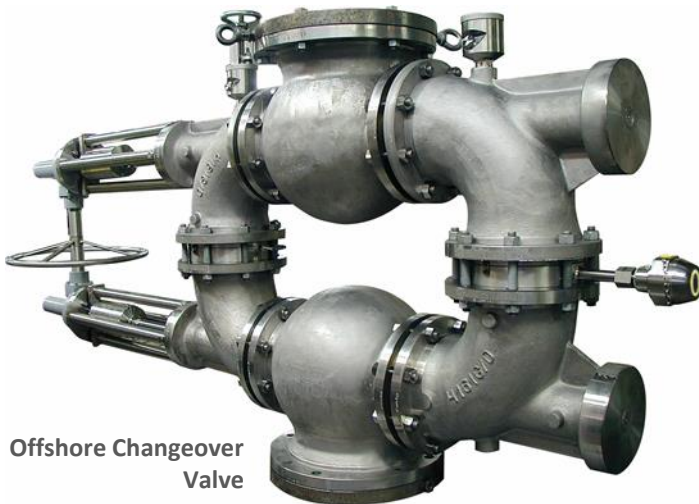
- Refining, Polymer, Chemical, Petrochemical and Offshore industries
- Part of plant safety dual pressure relief systems
- Located e.g. on storage tanks, in pumping or fluid transfer systems, between multiple heat exchangers or dual filtration systems.

Advantages

- Switch over quickly and efficiently from one relief valve system to another
- Shorter transfer time in hostile plant environments provides greater worker safety
- No production system shutdown



Changeover valves in the workshop



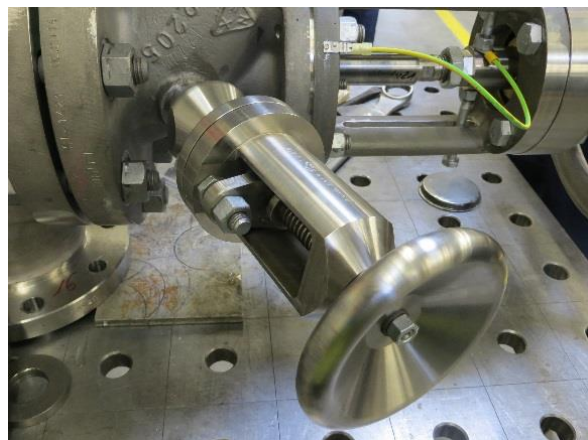
Offshore Changeover Valve

Design Features

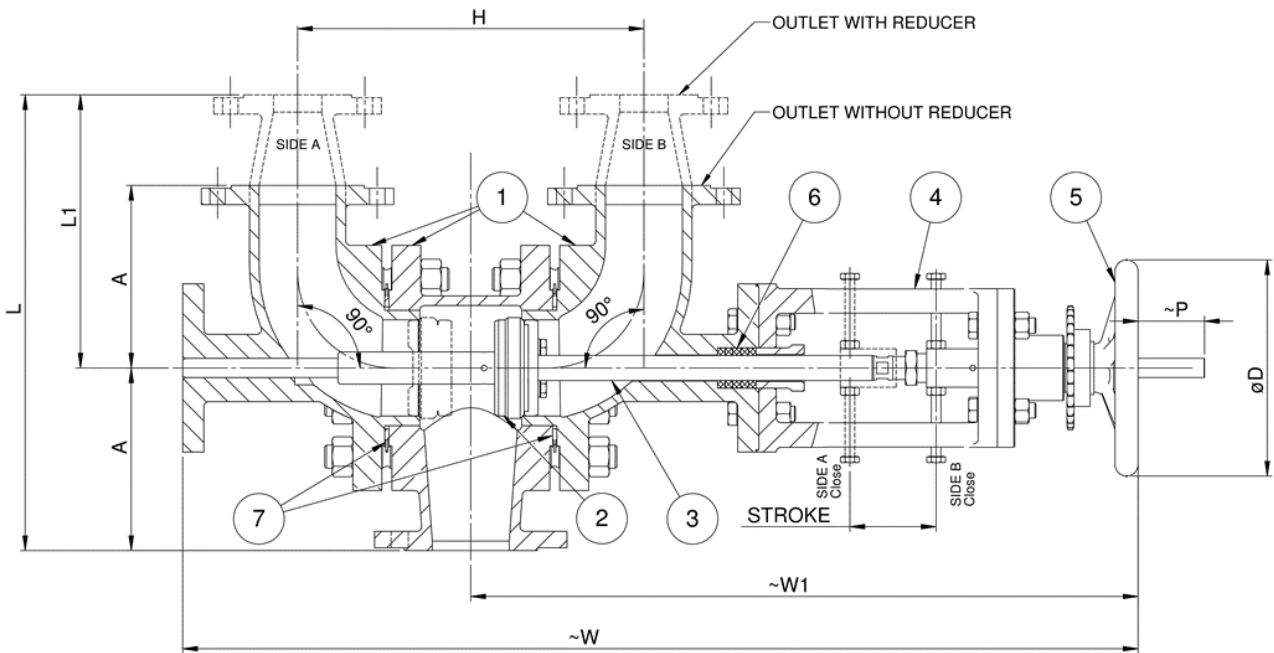
- Sizes: 1" to 10", larger on demand
- Pressure rating: up to ASME #2500
- Leakage rate to process: Class V or VI
- Temperature rating: from -60 to +500°C
- Pressure drop: <3%, Z<1
- Improved body design for lower weight and Zeta value
- Material: Carbon steel and Stainless steel as standard
- Disc and seat metal sealing as standard
- Manual actuation as standard

Design Options

- Included reducers for safety valve mounting
- Bellow sealing for zero leakage to atmosphere (see figure on the right)
- Flushing valves
- Bleed/vent valves
- Heating jacket
- Automated actuation
- Special materials available on request
- Material according to NACE standard available



Dimension Sheet Type 60WN (ASME 150-300# / PN16-40)



COV standard dimensions														
SIZES		A	H	L1 for REDUCER		L	MAX				STROKE	Min øD	ZETA value	Weight in Kgs 150#/300#
ASME (150#-300#)	DIN (PN16-PN40)			ASME/DN	L1		øD	W1	W	P				
1"	25	115	190	N/A	N/A	230	160*	520	710	30	45	160*	0,65	30/35
1½"	40	150	265	1¼"/32	200	350	225*	590	810	45	55	160*	0,65	62 ^(a) /70
2"	50	150	265	1½"/40	205	355	280	615	835	50	60	160*	0,75	75/80
2½"	65	190	360	2"/50	250	440	360	682	962	80	80	225*	0,65	85 ^(a) /95 ^(a)
3"	80	190	360	2½"/65	255	445	360	700	1000	90	90	225*	0,75	115/135
4"	100	230	460	3"/80	300	530	360	790	1140	115	112	225	0,80	150/190
5"	125	300	460	4"/100	390	690	360	795	1145	145	135	225	0,70	255 ^(a) /280 ^(a)
6"	150	280	600	5"/125	380	660	560	1035	1480	175	165	280	0,90	384/420
8"	200	370	800	6"/150	490	860	800	1235	1840	225	218	360	0,60	550/590
10"	250	430	900	8"/200	570	1000	800	1345	2010	270	262	360	0,80	720/950

All dimensions are in mm.
 Dimensions are for max PN40/ASME300# at 400°C/750°F.
 Seats are integral part of Valve bodies.

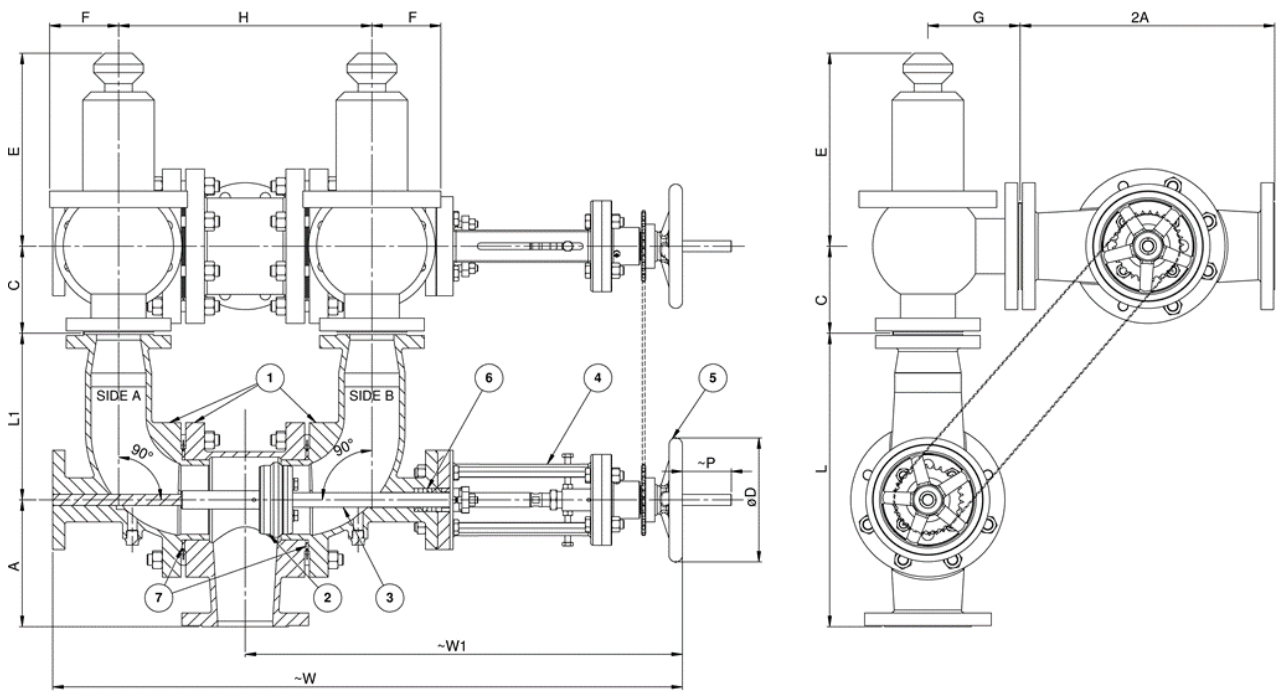
øD, W, W1 and P vary acc. to operating conditions.
 Max øD is acc. to pressure class 300# at 400°C.
 Min øD is acc. to pressure class 150# at 400°C.

NOTES:

- ^(a)approx. weights;
- *actuator with rising handwheel;
- other actuators with non-rising handwheel and spindle protrudes "P" mm if disc seals at side B;
- from 1" to 2" different valve design without guide rod (side A) and disc with fins.

PART LIST						
PART	PART NUMBER	MATERIAL VERSION AND TEMPERATURE RANGE IN °C				
		from -29 to 425	from -46 to 340	from -46 to 340	from -184 to 425/538	from -46 to 340
		WCB	LCB	LCC	St.St.	LCC/Monel Trim version
Body	1	WCB	LCB	LCC	CF3/CF8M	LCC
Disc	2	316	316	316	316	Monel 400
Spindle	3	316	316	316	316	Monel 400
Yoke	4	WCB/CF3/CF8	WCB/CF3/CF8	WCB/CF3/CF8	CF3/CF8	CF3/CF8
Handwheel	5	C.I	C.I	C.I	C.I	C.I
Packing	6	PTFE/Graphite	PTFE/Graphite	PTFE/Graphite	PTFE/Graphite	PTFE/Graphite
Gasket	7	PTFE/316L	PTFE/316L	PTFE/316L	PTFE/316L	PTFE/Monel

Dimension Sheet Type 69WN (ASME 150-300# / PN16-40)



COV combination standard dimensions														Safety Valve			
SIZES		A	H	L1 for REDUCER		L	MAX				STROKE	Min ϕ D	Weight in Kgs 150#/300#	To be supplied by Safety Valve Manufacturer			
ASME (150#-300#)	DIN (PN16-PN40)			ASME/DN	L1		ϕ D	W1	W	P				C	E	F	G
1"	25	115	190	N/A	N/A	230	160*	520	710	30	45	160*	66/77	-	-	-	-
1½"	40	150	265	1½"/32	200	350	225*	590	810	45	55	160*	137 ^(a) /154	-	-	-	-
2"	50	150	265	1½"/40	205	355	280	615	835	50	60	160*	165/176	-	-	-	-
2½"	65	190	360	2"/50	250	440	360	682	962	80	80	225*	187 ^(a) /209 ^(a)	-	-	-	-
3"	80	190	360	2½"/65	255	445	360	700	1000	90	90	225*	253/297	-	-	-	-
4"	100	230	460	3"/80	300	530	360	790	1140	115	112	225	330/418	-	-	-	-
5"	125	300	460	4"/100	390	690	360	795	1145	145	135	225	561 ^(a) /616 ^(a)	-	-	-	-
6"	150	280	600	5"/125	380	660	560	1035	1480	175	165	280	845/924	-	-	-	-
8"	200	370	800	6"/150	490	860	800	1235	1840	225	218	360	1210/1300	-	-	-	-
10"	250	430	900	8"/200	570	1000	800	1345	2010	270	262	360	1585/2090	-	-	-	-

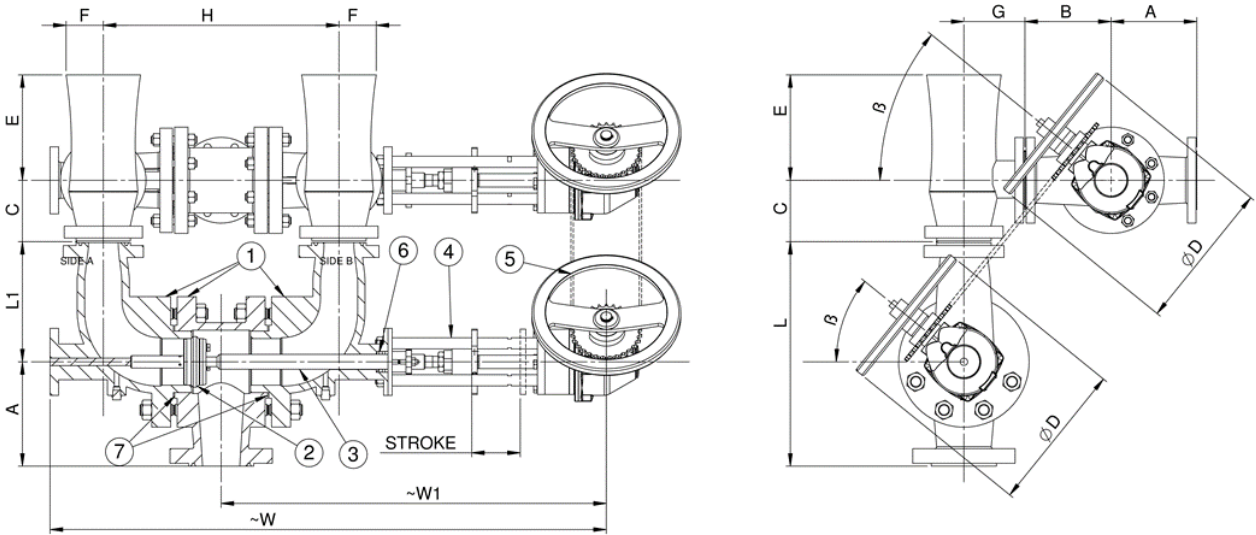
All dimensions are in mm.
 Dimensions are for max PN40/ASME300# at 400°C/750°F.
 Seats are integral part of Valve bodies.

ϕ D,W,W1 and P vary acc. to operating conditions.
 Max ϕ D is acc. to pressure class 300# at 400°C.
 Min ϕ D is acc. to pressure class 150# at 400°C.

NOTES:
 -^(a)approx. weights;
 -*actuator with rising handwheel;
 - other actuators with non-rising handwheel and spindle protrudes "P" mm if disc seals at side B;
 - from 1" to 2" different valve design without guide rod (side A) and disc with fins.

PART		PART LIST				
		MATERIAL VERSION AND TEMPERATURE RANGE IN °C				
		from -29 to 425	from -46 to 340	from -46 to 340	from -184 to 425/538	from -46 to 340
		WCB	LCB	LCC	St.St.	LCC/Monel Trim version
Body	1	WCB	LCB	LCC	CF3/CF8M	LCC
Disc	2	316	316	316	316	Monel 400
Spindle	3	316	316	316	316	Monel 400
Yoke	4	WCB/CF3/CF8	WCB/CF3/CF8	WCB/CF3/CF8	CF3/CF8	CF3/CF8
Handwheel	5	C.I	C.I	C.I	C.I	C.I
Packing	6	PTFE/Graphite	PTFE/Graphite	PTFE/Graphite	PTFE/Graphite	PTFE/Graphite
Gasket	7	PTFE/316L	PTFE/316L	PTFE/316L	PTFE/316L	PTFE/Monel

Dimension Sheet Type 60WN and 69WN Combination (ASME 600# / PN63- PN100)



COV standard dimensions												
SIZES		A	B	H	L1 for REDUCER		L	BEVEL GEAR BOX			STROKE	ZETA value
ASME (600#)	DIN (PN63-PN100)				øD	W1		W				
2"	50	175	175	305	1"/25	235	410	400	755	995	60	0,75
3"	80	220	230	452	2"/50	280	500	400	910	1260	90	0,75
4"	100	280	280	635	3"/80	320	600	400	1095	1560	140	0,80
6"	150	300	300	680	4"/100	500	800	500	1250	1850	165	0,90

COV combination standard dimensions												Safety Valve			
SIZES		A	B	H	L1 for REDUCER		L	BEVEL GEAR BOX			STROKE	To be supplied by Safety Valve Manufacturer			
ASME (600#)	DIN (PN63-PN100)				øD	W1		W	C	E		F	G		
2"	50	175	175	305	1"/25	235	410	400	755	995	60	-	-	-	-
3"	80	220	230	452	2"/50	280	500	400	910	1260	90	-	-	-	-
4"	100	280	280	635	3"/80	320	600	400	1095	1560	140	-	-	-	-
6"	150	300	300	680	4"/100	500	800	500	1250	1850	165	-	-	-	-

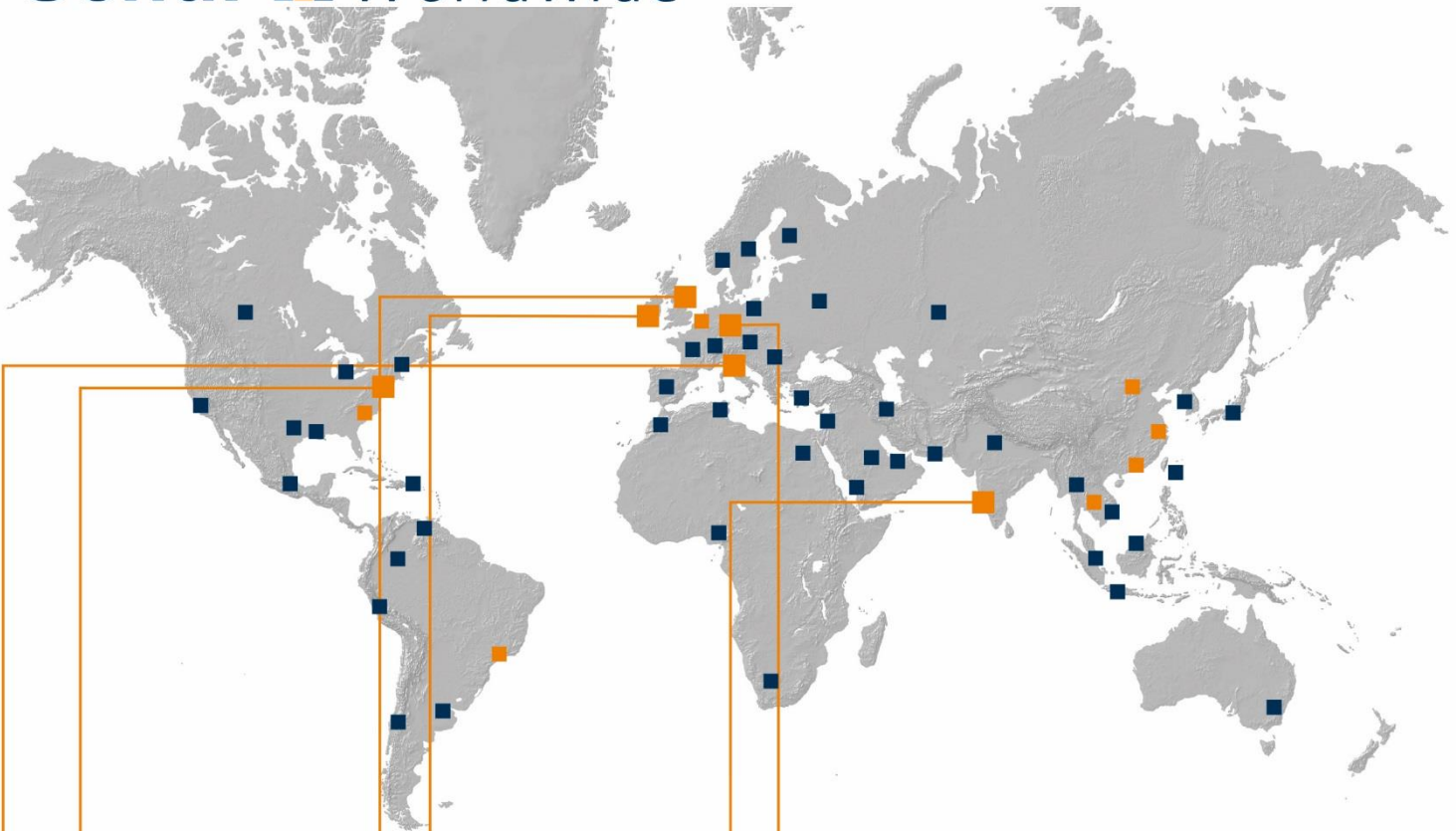
All dimensions are in mm.
Dimensions are for max PN100/ASME600# at 200°C/392°F. Seats are integral part of Valve bodies.

øD,W,W1 and P vary acc. to operating conditions.

NOTES:
- 2" different valve design without ;
guide rod (side A), disc with fins and with NF actuator
-β approx 45° subject to change depending of safety valve dimensions.

PART LIST						
PART	PART NUMBER	MATERIAL VERSION AND TEMPERATURE RANGE IN °C				
		from -29 to 425	from -46 to 340	from -46 to 340	from -184 to 425/538	from -46 to 340
		WCB	LCB	LCC	St.St.	LCC/Monel Trim version
Body	1	WCB	LCB	LCC	CF3/CF8M	LCC
Disc	2	316	316	316	316	Monel 400
Spindle	3	316	316	316	316	Monel 400
Yoke	4	WCB/CF3/CF8	WCB/CF3/CF8	WCB/CF3/CF8	CF3/CF8	CF3/CF8
Handwheel	5	C.I	C.I	C.I	C.I	C.I
Packing	6	PTFE/Graphite	PTFE/Graphite	PTFE/Graphite	PTFE/Graphite	PTFE/Graphite
Gasket	7	PTFE/316L	PTFE/316L	PTFE/316L	PTFE/316L	PTFE/Monel

SchuF Worldwide



www.schuf.com

www.schuf.de

USA



Fetterolf Corporation
phone: +1 610 584-1500
info@fetterolfvalves.com

SchuF (USA) Inc.
phone: +1 843 881 3345
sales@schuf.us

IRELAND



SchuF Valve Technology GmbH
phone: +353 (0)21 4837000
sales@schuf.ie

GERMANY



SchuF Chemieventile Vertriebs GmbH & Co.KG
phone: +49 (0)6198 571100
verkauf@schuf.de

Your Sales Channel:

SchuF Benelux B.V.
phone +31 25 12 34 448
lieke@schuf.nl

Emartins Armaturen – ME
phone: +55 11 98618 7005
emartins@schuf.com

SchuF South East Asia Pte. Ltd.
phone +31 62062 6664
marius@schuf.nl

SchuF Valves China Ltd.
phone +85 22 86 50 86 1
see@vol.net

ITALY



La Tecnovalvo S.r.l.
phone: +39 023503508
info@latecnovalvo.com

UNITED KINGDOM



SchuF (UK) Ltd.
phone: +44 203 355 2012
sales@schuf.co.uk

INDIA



SchuF Speciality Valves India Pvt. Ltd.
phone: +91 421 2264600
sales@schuf-india.com

Your Local Agent: